

Series 800 "Mighty Mouse" with UN Mating Thread Printed Circuit Board Receptacle Ordering Info 800-012-02 and 800-012-07



Series 800 Receptacles feature gold-plated straight PCB tails or solder cup contacts. Contacts are non-removable.

Two Shell Styles: jam nut with o-ring for rear panel mounting, or square flange.

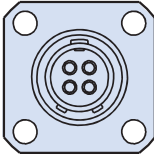
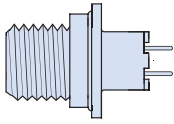
Epoxy Sealed to prevent water ingress in "open face" condition.

Integral Standoffs allow clearance for washing.

Series 800 PCB Receptacle

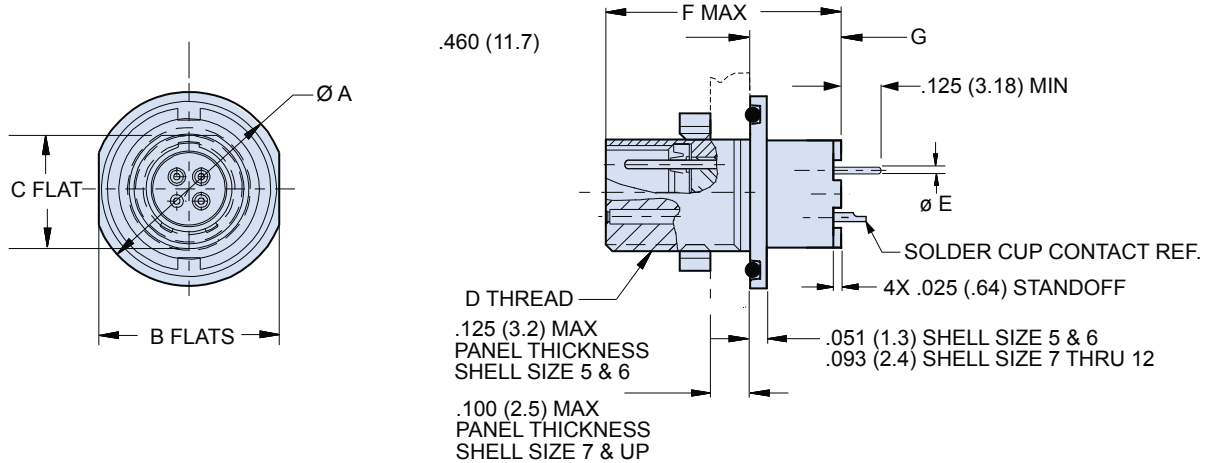
HOW TO ORDER

Sample Part Number

800-012	-07	M	7-10	P	Z																																																																																																																																	
Series	Shell Style	Shell Material / Finish	Shell Size- Insert Arrangement	Contact Type	Shell Key Position																																																																																																																																	
800-012 PCB Receptacle, Vertical Mount	 -02 Square Flange  -07 Jam Nut	C Aluminum / Black Anodize (Non-Conductive) RoHS Compliant	<table border="1"> <thead> <tr> <th rowspan="2">Arr.</th> <th colspan="4">No. of Contacts</th> </tr> <tr> <th>#23</th> <th>#20</th> <th>#16</th> <th>#12</th> </tr> </thead> <tbody> <tr><td>5-3</td><td>3</td><td></td><td></td><td></td></tr> <tr><td>6-1</td><td></td><td></td><td>1</td><td></td></tr> <tr><td>6-4</td><td>4</td><td></td><td></td><td></td></tr> <tr><td>6-7</td><td>7</td><td></td><td></td><td></td></tr> <tr><td>7-1</td><td></td><td></td><td></td><td>1</td></tr> <tr><td>7-10</td><td>10</td><td></td><td></td><td></td></tr> <tr><td>8-2</td><td></td><td></td><td>2</td><td></td></tr> <tr><td>8-13</td><td>13</td><td></td><td></td><td></td></tr> <tr><td>8-200</td><td>4</td><td>2</td><td></td><td></td></tr> <tr><td>9-4</td><td></td><td></td><td>4</td><td></td></tr> <tr><td>9-19</td><td>19</td><td></td><td></td><td></td></tr> <tr><td>9-200</td><td>4</td><td></td><td>2</td><td></td></tr> <tr><td>9-201</td><td>8</td><td>2</td><td></td><td></td></tr> <tr><td>10-5</td><td></td><td></td><td>5</td><td></td></tr> <tr><td>10-26</td><td>26</td><td></td><td></td><td></td></tr> <tr><td>10-200</td><td>12</td><td></td><td></td><td>1</td></tr> <tr><td>10-201</td><td>4</td><td></td><td></td><td>2</td></tr> <tr><td>10-202</td><td>8</td><td></td><td>2</td><td></td></tr> <tr><td>12-2</td><td></td><td></td><td></td><td>2</td></tr> <tr><td>12-3</td><td></td><td></td><td></td><td>3</td></tr> <tr><td>12-7</td><td></td><td></td><td>7</td><td></td></tr> <tr><td>12-37</td><td>37</td><td></td><td></td><td></td></tr> <tr><td>12-200</td><td>6</td><td></td><td></td><td>2</td></tr> <tr><td>12-201</td><td>10</td><td></td><td></td><td>2</td></tr> </tbody> </table>	Arr.	No. of Contacts				#23	#20	#16	#12	5-3	3				6-1			1		6-4	4				6-7	7				7-1				1	7-10	10				8-2			2		8-13	13				8-200	4	2			9-4			4		9-19	19				9-200	4		2		9-201	8	2			10-5			5		10-26	26				10-200	12			1	10-201	4			2	10-202	8		2		12-2				2	12-3				3	12-7			7		12-37	37				12-200	6			2	12-201	10			2	P Pin	N Normal
		Arr.	No. of Contacts																																																																																																																																			
			#23	#20	#16	#12																																																																																																																																
		5-3	3																																																																																																																																			
		6-1			1																																																																																																																																	
		6-4	4																																																																																																																																			
		6-7	7																																																																																																																																			
		7-1				1																																																																																																																																
		7-10	10																																																																																																																																			
		8-2			2																																																																																																																																	
		8-13	13																																																																																																																																			
		8-200	4	2																																																																																																																																		
		9-4			4																																																																																																																																	
		9-19	19																																																																																																																																			
		9-200	4		2																																																																																																																																	
		9-201	8	2																																																																																																																																		
		10-5			5																																																																																																																																	
		10-26	26																																																																																																																																			
		10-200	12			1																																																																																																																																
10-201	4			2																																																																																																																																		
10-202	8		2																																																																																																																																			
12-2				2																																																																																																																																		
12-3				3																																																																																																																																		
12-7			7																																																																																																																																			
12-37	37																																																																																																																																					
12-200	6			2																																																																																																																																		
12-201	10			2																																																																																																																																		
		M Aluminum / Electroless Nickel RoHS Compliant		S Socket	X Pos. X																																																																																																																																	
		NF Aluminum / Cadmium with Olive Drab Chromate		E Pin, Solder Cup	Y Pos. Y																																																																																																																																	
		ZN Aluminum / Zinc-Nickel with Olive Drab Chromate		F Socket, Solder Cup	Z Pos. Z																																																																																																																																	
		UCR Aluminum / Zinc-Cobalt with Black Chromate RoHS Compliant																																																																																																																																				
		ZNU Aluminum / Zinc-Nickel with Black Chromate																																																																																																																																				
		MT Aluminum / Nickel-PTFE RoHS Compliant																																																																																																																																				
		Z1 Stainless Steel / Passivated RoHS Compliant																																																																																																																																				

Dimensions in inches (millimeters) and are subject to change without notice.

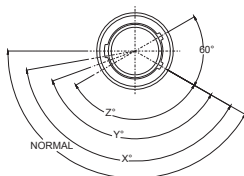
Series 800 "Mighty Mouse" with UN Mating Thread Printed Circuit Board Receptacle Dimensions Jam Nut Receptacle 800-012-07



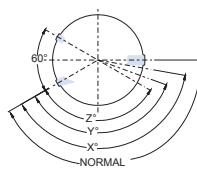
DIMENSIONS

Shell Size	Ø A		Ø B		C		D Threads Mating	Ø E Tail Dia.	F Max		G	
	In.	mm.	In.	mm.	In.	mm.			In.	mm.	In.	mm.
5	.541	13.74	.500	12.70	.285	7.24	.3125-28 UN-2A	#23	.725	18.42	.247	6.27
6	.610	15.49	.562	14.27	.352	8.94	.3750-28 UN-2A		.018/.022 (0.46/0.56)	.725	18.42	.247
7	.670	17.02	.635	16.13	.411	10.44	.4375-28 UNEF-2A	#20	.700	17.78	.205	5.21
8	.775	19.69	.735	18.67	.473	12.01	.5000-32 UN-2A		.024/.028 (0.61/0.71)	.700	17.78	.205
9	.875	22.23	.806	20.47	.530	13.46	.5625-32 UN-2A	#16	.700	17.78	.205	5.21
10	.980	24.89	.940	23.88	.604	15.34	.6250-32 UN-2A		.060/.064 (1.52/1.63)	.700	17.78	.205
12	1.062	26.97	.986	25.04	.712	18.08	.7500-28 UN-2A	#12	.700	17.78	.205	5.21
									.092/.096 (2.34/2.44)	.700	17.78	.205

SERIES 800 KEY POSITIONS



Plug

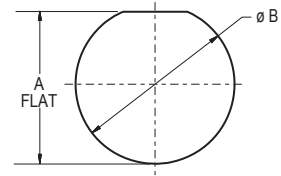


Receptacle

Key Position	Key Rotation
Normal (N)	150°
X	140°
Y	130°
Z	120°

Shell size 5 and 6: master key is located at top dead center for normal (N) position. Shell size 7 thru 12: master key is rotated 90° from TDC for normal position.

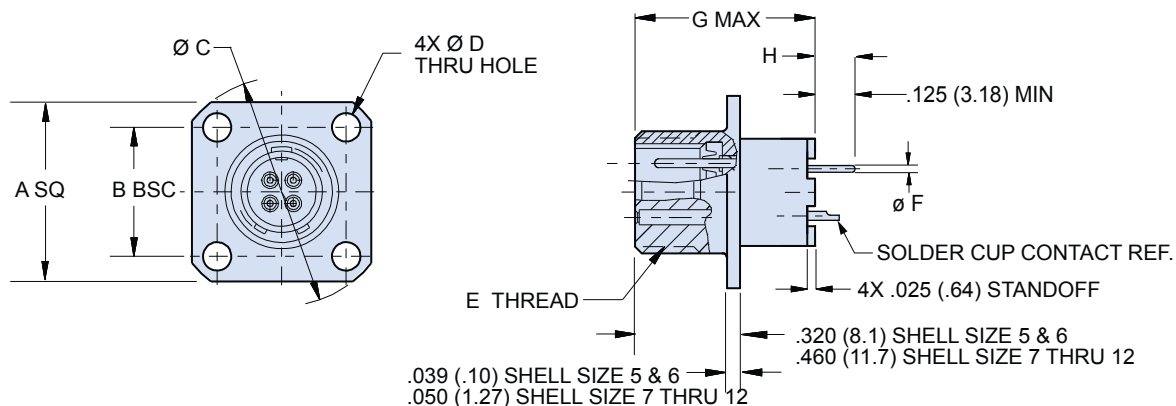
SERIES 800 PANEL CUTOUTS



Shell Size	A Flat		Ø B	
	In.	mm.	In.	mm.
5	.302 / .298	7.67 / 7.57	.318	8.08
6	.365 / .361	9.27 / 9.17	.386	9.80
7	.424 / .420	10.77 / 10.67	.449	11.40
8	.486 / .482	12.34 / 12.24	.510	12.95
9	.543 / .539	13.79 / 13.69	.574	14.58
10	.617 / .613	15.67 / 15.57	.635	16.12
12	.725 / .721	18.42 / 18.31	.760	19.30

Dimensions in inches (millimeters) and are subject to change without notice.

Series 800 "Mighty Mouse" with UN Mating Thread Printed Circuit Board Receptacle Dimensions Square Flange Receptacle 800-012-02



DIMENSIONS

Shell Size	A SQ		B		Ø C		Ø D		E Threads Mating	Ø F Tail Dia.	G Max		H	
	In.	mm.	In.	mm.	In.	mm.	± .005	± 0.13			In.	mm.	In.	mm.
5	.527	13.39	.363	9.22	.680	17.27	.094	2.39	.3125-28 UN-2A	#23	.725	18.42	.426	10.82
6	.588	14.92	.423	10.74	.750	19.05	.094	2.39	.3750-28 UN-2A		.018/.022 (0.46/0.56)	.725	18.42	.426
7	.650	16.51	.483	12.27	.830	21.08	.128	3.25	.4375-28 UNEF-2A	#20	.700	17.78	.255	6.48
8	.710	18.03	.542	13.77	.938	23.83	.128	3.25	.5000-32 UN-2A		.024/.028 (0.61/0.71)	.700	17.78	.255
9	.938	23.83	.719	18.26	1.250	31.75	.128	3.25	.5625-32 UN-2A	#16	.700	17.78	.255	6.48
10	.938	23.83	.719	18.26	1.250	31.75	.128	3.25	.6250-32 UN-2A		.060/.064 (1.52/1.63)	.700	17.78	.255
12	1.031	26.19	.812	20.62	1.375	34.93	.128	3.25	.7500-28 UN-2A	#12	.700	17.78	.255	6.48
											.092/.096 (2.34/2.44)	.700	17.78	.255

SERIES 800 KEY POSITIONS

Key Position	Key Rotation	Plug Key Position	Receptacle Key Position
Normal (N)	150°		
X	140°		
Y	130°		
Z	120°		

Shell size 5 and 6: master key is located at top dead center for normal (N) position. Shell size 7 thru 12: master key is rotated 90° from TDC.

Dimensions in inches (millimeters) and are subject to change without notice.